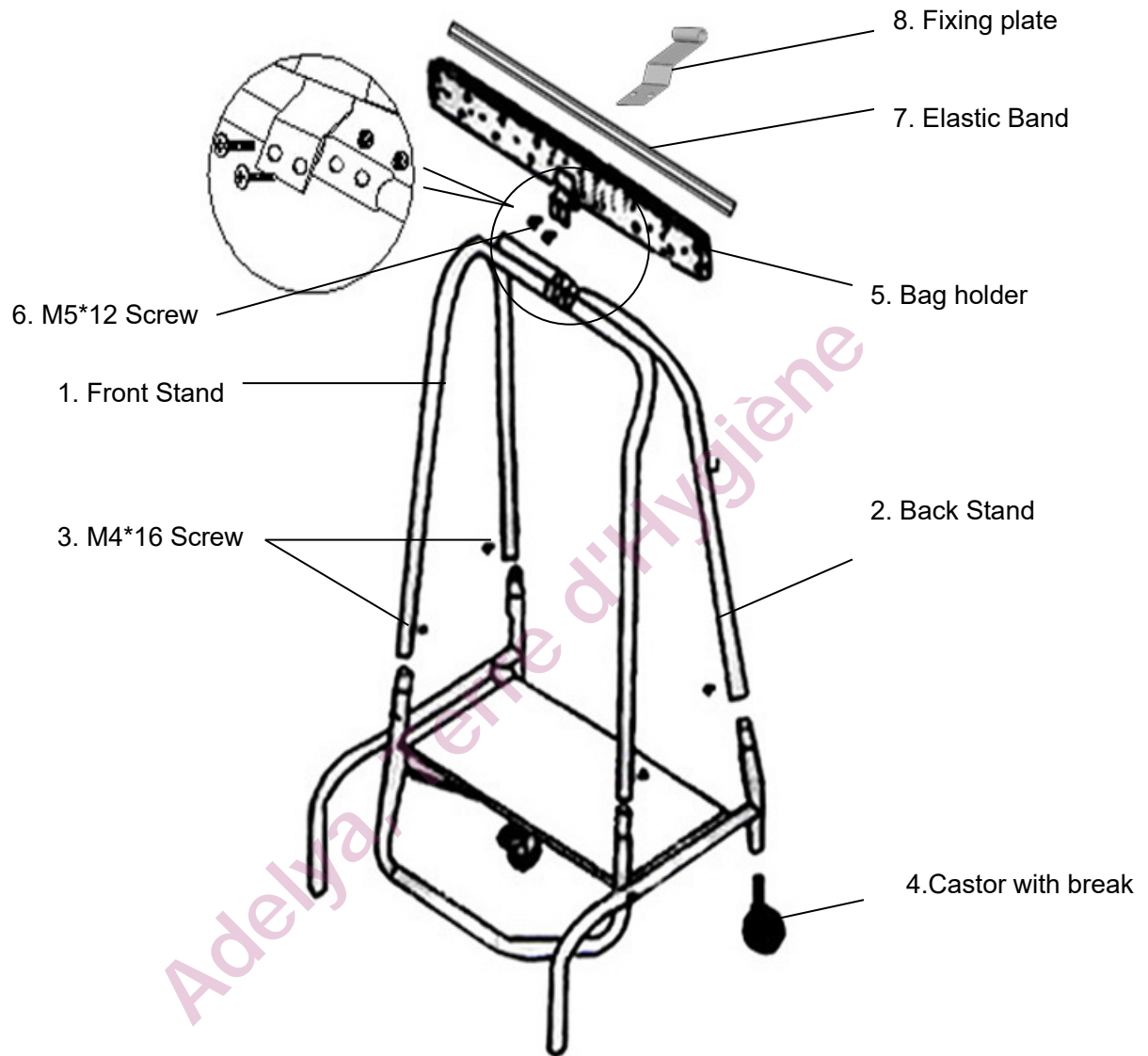


CONTICLAP – Ref. 192051

Portasacco Mobile a pedale 110 L – Mobile Bag Holder with Pedal 110 L
 Support sac mobile à pédale 110 L



	<i>Parts – Pièces - Elementi</i>	Qty
1	Front stand- Avant – Struttura frontale	1
2	Back stand - Arrière – Struttura posteriore	1
3	M 4 * 16 screws – 16 Vis – 16 Viti	4
4	Castor - Roulettes – Ruote	2
5	Bag holder - Support sac - Reggisacco	1
6	M 5 * 12 screw - Vis - Viti	4
7	Elastic band - bande caoutchouc - Elastico reggisacco	1
8	Fixing plate - plaque de fixation - placca di fissaggio	1

<i>Spare parts / Piece détaches/ Ricambi</i>	<i>Parts – Pièces - Elementi</i>	<i>Exploded view Vue éclatée Esploso</i>
Ref. 107595	Castor with breaks - Roulettes avec frein – Ruote con freno	Nr.4
Ref. 107596	Elastic band - bande caoutchouc - Elastico reggisacco	Nr.7
Ref. 107597	Elastic band + Fixing plate / Bande caoutchouc + Plaque fixation / Elastico reggisacco + placca di fissaggio	Nr.7+8
Ref. 107598	Bag holder + M5*12 Screws - Support sac + M5*12 Vis – Reggisacco + M5*12 Viti	Nr.5+6
Ref. 107599	Full kit / kit complet / Kit completo (M4 + M5 screws - M4 & M5 vis – M4 & M5 viti)	Nr.3+6

Adelya, Terre d'Hygiène